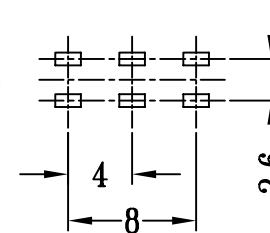
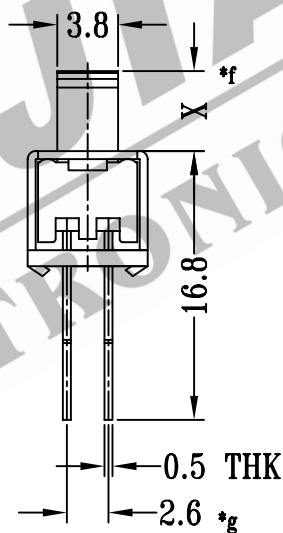
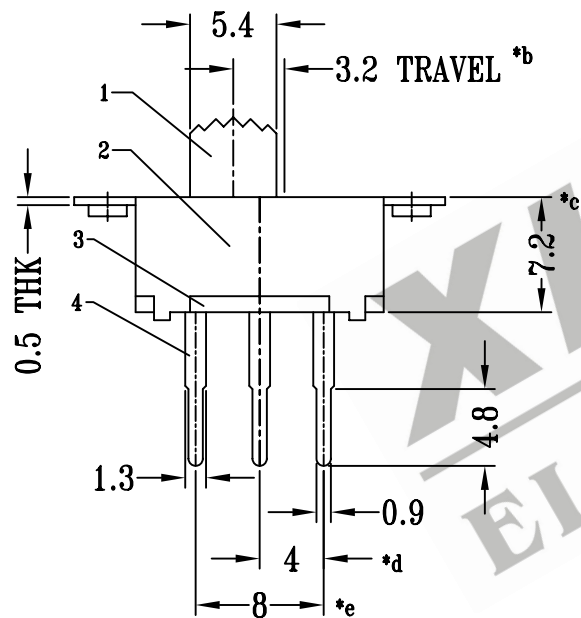
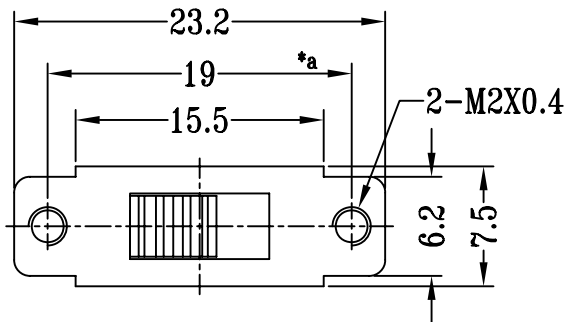


CAD FILE:



SCHEMATIC (NON-SHORTING)

P.C.B LAYOUT

注:带"\*"表示关键尺寸(7个)

					TOLERANCE	SHENZHEN XIEJIA ELECTRONICS CO.,LTD.				
					UNLESS SPECIFIED	ISSUE	DATE	DESCRIPTIONS		APPD.
8					WITHIN: 1.5±0.1mm					
7					OVER : 1.5±0.2mm					
6	SPRING	STEEL WIRE	2	TEMPER	TITLE : VERTICAL SLIDE SWITCH		UNIT : MM	DRWG NO.: XJ-DR-SS22F79-00		
5	CONTACT CLIP	BRASS STRIP	2	Ag PLATED	MODEL: SS-22F79		SCALE: 2 : 1	DWN.	ZHOUYU	2005-8-19
4	TERMINAL	BRASS STRIP	6	Ag PLATED OVER Ni PLATED	ALL MATERIALS MUST BE COMPLIANT TO ROHS			CHK'D	FANGYING	2005-8-19
3	BASE	PHENOLIC RESIN	1	BLACK			APPD.	KANGXINAN	2005-8-19	
2	FRAME	STEEL STRIP	1	BLACK						
1	KNOB	POM	1	BLACK						
NO.	PART NAME	MATERIAL	Q'TY	FINISHING						